


Freedom!

IN CONGRESS, JULY 4, 1776.

The unanimous Declaration of the thirteen united States of America.

When in the course of human events, it becomes necessary for one People to dissolve the political bands which have connected them with another, and to assume among the Powers of the earth, the separate and equal station to which the Laws of Nature and of Nature's God entitle them, a decent respect to the Opinions of Mankind requires that they should declare the causes which impel them to the separation. We hold these truths to be self-evident, that all men are created equal, that they are endowed by their Creator with certain unalienable Rights, that among these are Life, Liberty and the pursuit of Happiness. — That to secure these rights, Governments are instituted among Men, deriving their just Powers from the Consent of the Governed, — That whenever any Form of Government becomes destructive of these ends, it is the Right of the People to alter or to abolish it, and to institute new Government, laying its foundation on such Principles, and organizing its Powers in such Form, as to them shall seem most likely to effect their Safety and Happiness. Prudence, indeed, will dictate that Governments long established should not be changed for light and transient Causes; and accordingly all reformations of ancient Governments have proceeded by the slow and gradual Process, and are generally the result of long Experience, not of sudden Councils, warm Passions, and agitations. Experience has shewn that the People are more disposed to suffer, while evils are sufferable, than to right themselves by abolishing the forms to which they are accustomed. But when a long Train of abuses and usurpations, pursuing invariably the same Object, evinces a design to reduce them under absolute Tyranny, it is their Right, it is their Duty, to throw off such Government, and to provide new Guards for their future Security — Such has been the patient Sufferance of these Colonies, and such has been the Usage which hath connected them to the former Systems of Government. The history of the present King of Great Britain is a History of repeated Injuries and Oppressions, all having in direct and pointed Aim the Establishment of an absolute Tyranny over these States. In former Writings he pretended to a mild and lenient Disposition. He has refused his Assent to Laws the most wholesome and necessary for the public Good. — He has forbidden his Governors to pass Acts of the most urgent and pressing Importance, unless he should signify his Assent thereto. — He has dissolved the



We hold these truths to be self-evident: that all men are created equal; that they are endowed by their Creator with certain unalienable rights; that among these are life, liberty, and the pursuit of happiness.

(Thomas Jefferson)

ixquotes.com

Handwritten signatures of the signatories of the Declaration of Independence, including names like John Hancock, Thomas Jefferson, and John Adams.

Freedom!

Freedom from what?

That these United Colonies are, and of Right ought to be Free and Independent States; that they are Absolved from all Allegiance to the British Crown, and that all political connection between them and the State of Great Britain, is and ought to be totally dissolved;

Freedom from English rule... King George III

Freedom in the Bible!

Gen 2:16 And the LORD God commanded the man, "You are free to eat from any tree in the garden;

17 but you must not eat from the tree of the knowledge of good and evil, for when you eat of it you will surely die."

Created with Choices!

Freedom in the Bible!

Joh 8:32 Then you will know the truth, and the truth will set you free.“

Joh 8:36 So if the Son sets you free, you will be free indeed.

Ga 5:1 It is for freedom that Christ has set us free.

Ga 5:13 You, my brothers, were called to be free.

Jesus Promises Freedom!

Freedom!

Freedom from what?

- Rom 8:1 Therefore, there is now **no condemnation** for those who are in Christ Jesus,
- 2 because through Christ Jesus the law of the Spirit of life set me free from the law of sin and death.
 - 3 For what the law was powerless to do in that it was weakened by the sinful nature, God did by sending his own Son in the likeness of sinful man to be a sin offering. And so he condemned sin in sinful man,
 - 4 in order that the righteous requirements of the law **might be fully met in us**, who do not live according to the sinful nature but according to the Spirit.

Freedom from Condemnation!

Freedom!

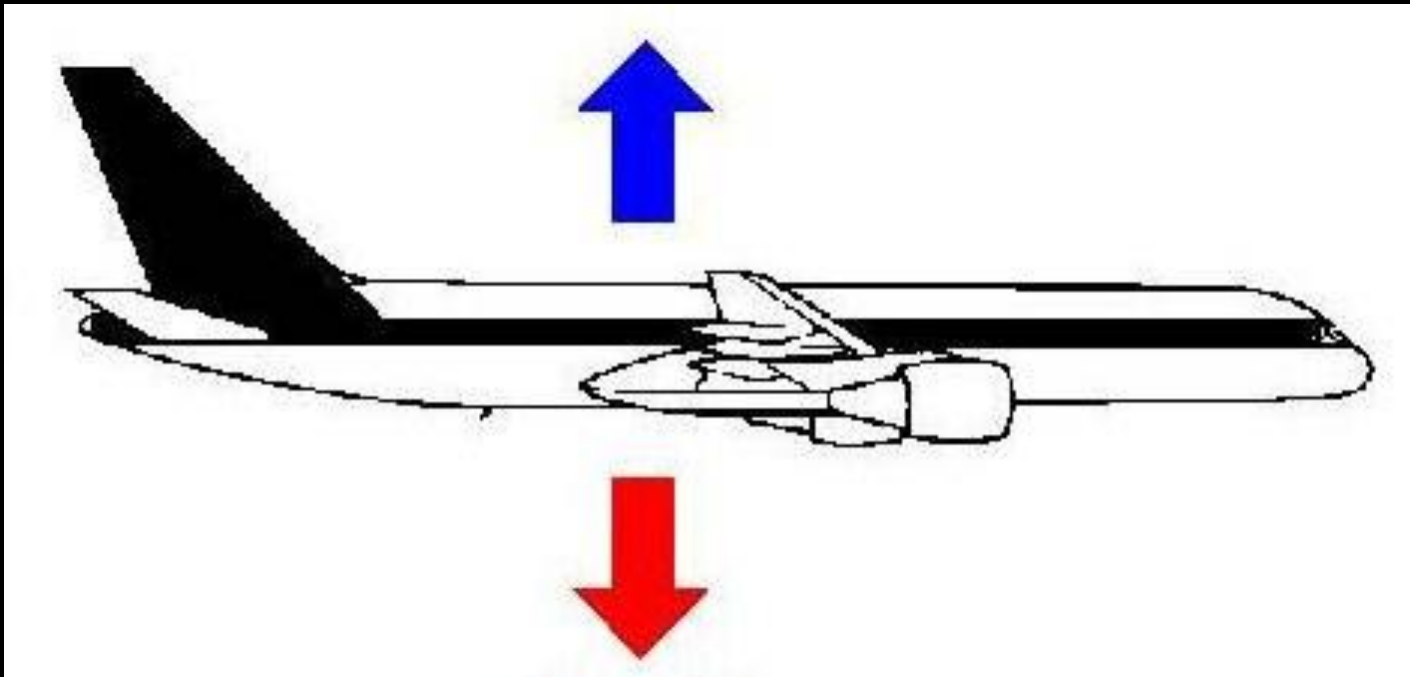
Freedom from what??

through Christ Jesus the law of the Spirit of life set me free from the law of sin and death.

Free from Sin & Death



Lift

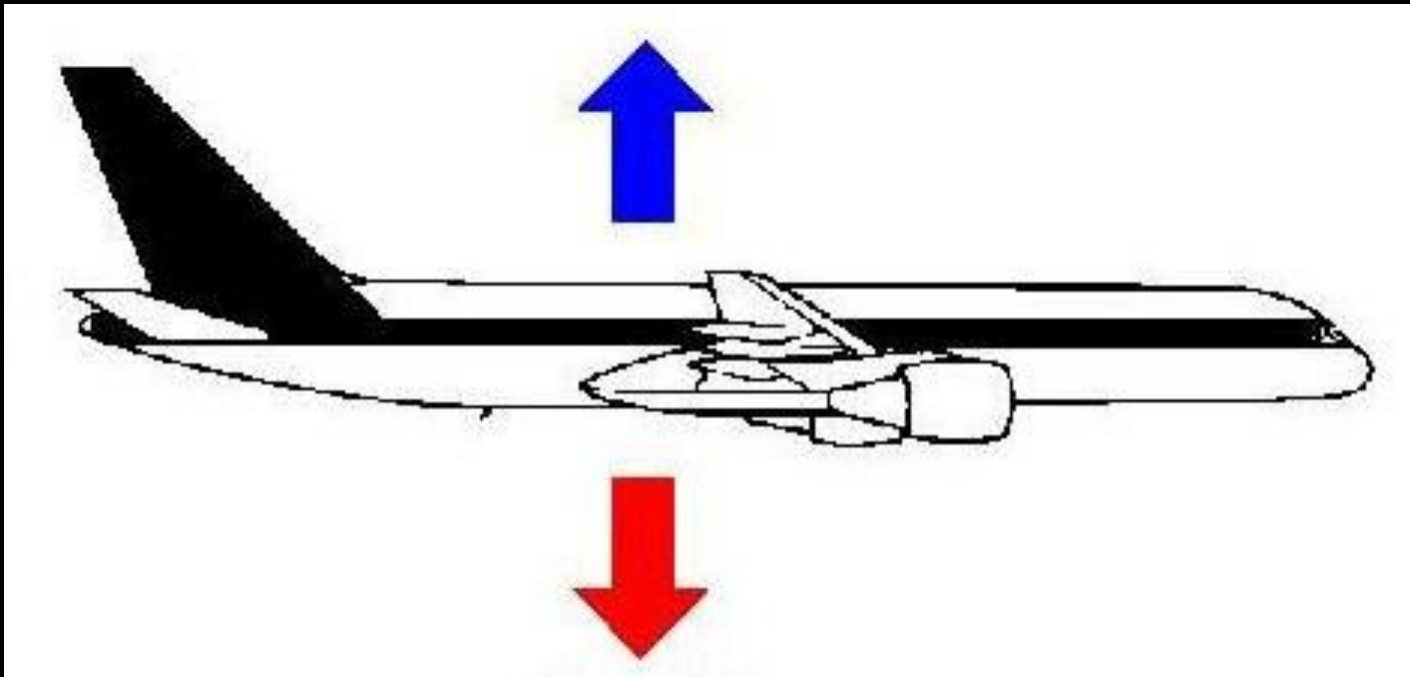


Gravity



NASA/Tony Landis

Spirit of Life



Sin & Death

Freedom!

Freedom from what??

Gal. 5:13 You, my brothers, were **called to be free**. But do not use your freedom to indulge the **sinful nature**; rather, **serve** one another in love.

14 The entire law is summed up in a single command: "Love your neighbor as yourself."

15 If you keep on biting and devouring each other, watch out or you will be destroyed by each other.

16 So I say, live by the Spirit, and you will not gratify the **desires of the sinful nature**.

Free from Control by the Sinful Nature

Freedom!

Freedom from what??

Condemnation

Sin and Death

Sinful Nature

Freedom to serve in love.

It is absolutely clear that God has called you to a free life. Just make sure that you don't use this freedom as an excuse to do whatever you want to do and destroy your freedom. Rather, use your freedom to serve one another in love; that's how freedom grows.

Gal 5:13 - Message

Life in the Spirit

